

- GB -



Environment and recycling

Please help us to protect the environment by disposing of the packaging in accordance with the national regulations for waste processing.

Recycling of obsolete appliances

Appliances with this label must not be disposed off with the general waste. They must be collected separately and disposed off according to local regulations.

- I -



Tutela dell'ambiente e riciclaggio

Affinché il vostro apparecchio non subisca danni durante il trasporto, esso è stato imballato con cura. Per contribuire alla tutela del nostro ambiente, vi chiediamo di smaltire in modo appropriato il materiale utilizzato per l'imballaggio dell'apparecchio.

Smaltimento degli apparecchi usati

Gli apparecchi che recano il contrassegno riportato a fianco non devono essere smaltiti insieme ai rifiuti urbani, ma vanno raccolti e smaltiti separatamente. Lo smaltimento degli apparecchi usati va eseguito a regola d'arte, in conformità con le prescrizioni e leggi vigenti localmente in materia.

- NL -



Milieu en recycling

Wij verzoeken u ons bij de bescherming van het milieu behulpzaam te zijn. Verwijder de verpakking daarom overeenkomstig de voor de afvalverwerking geldende nationale voorschriften.

Recycling van oude toestellen

Toestellen met dit kenmerk horen niet thuis in de vuilnisbak en zijn apart in te zamelen en te recyclen. De recycling van oude toestellen moet steeds vakkundig en volgens de ter plaatse geldende voorschriften en wetgeving plaats vinden.

- F -



Environnement et recyclage

Nous vous demandons de nous aider à préserver l'environnement. Pour ce faire, merci de vous débarrasser de l'emballage conformément aux règles nationales relatives au traitement des déchets.

Collecte et recyclage des produits en fin de vie

Les appareils munis de ce symbole ne doivent pas être mis avec les ordures ménagères, mais doivent être collectés séparément et recyclés. La collecte et le recyclage des produits en fin de vie doivent être effectués selon les dispositions et les décrets locaux.

- D -



Entsorgung von Altgeräten in Deutschland

Geräte mit dieser Kennzeichnung gehören **nicht** in die Restmülltonne und sind getrennt zu sammeln und zu entsorgen.

Die Hersteller sorgen im Rahmen der Produktverantwortung für eine umweltgerechte Behandlung und Verwertung der Altgeräte.

Im Rahmen des Elektro- und Elektronikgerätegesetzes (ElektroG) und zum Schutz unserer Umwelt ist eine **kostenlose Rückgabe bei Ihrer kommunalen Sammelstelle** möglich.

- E -



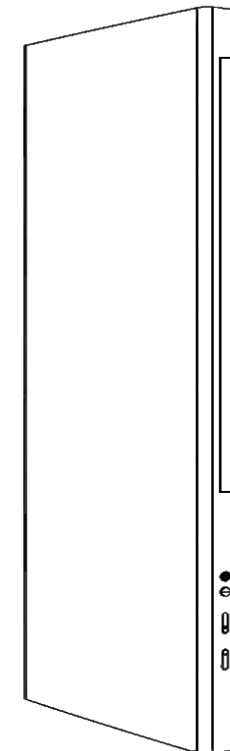
Medio ambiente y reciclaje

Ayúdenos a proteger el medio ambiente eliminando el embalaje con arreglo a la legislación nacional sobre tratamiento de residuos.

Eliminación de aparatos viejos

No tirar los aparatos que lleven esta identificación junto con la basura no clasificada. Se deben recoger y eliminar de forma especial. La eliminación de aparatos viejos se debe realizar de forma adecuada y competente, de acuerdo con las normas y leyes locales vigentes.

DEKO



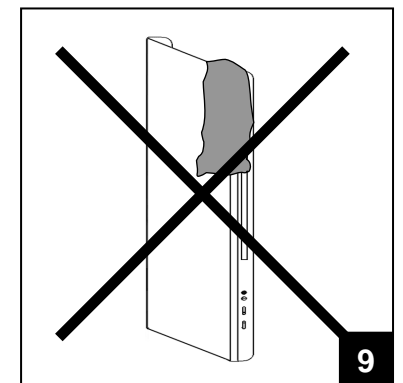
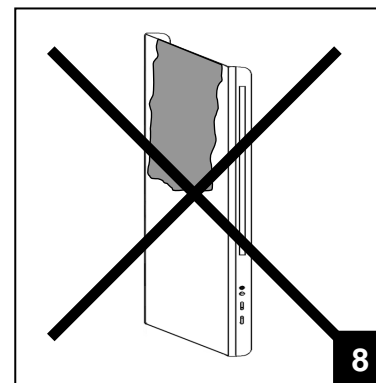
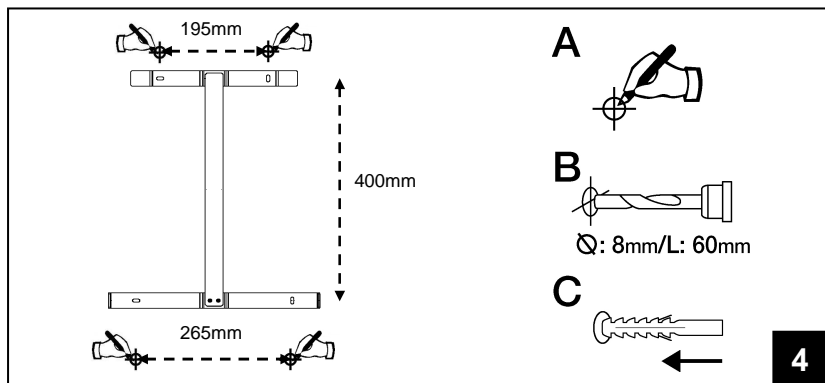
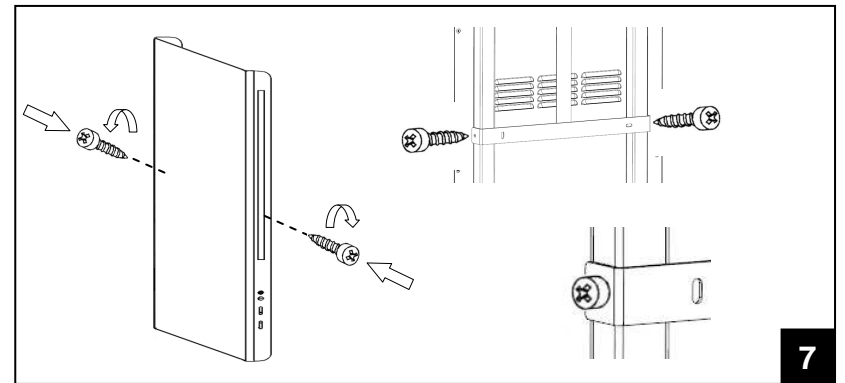
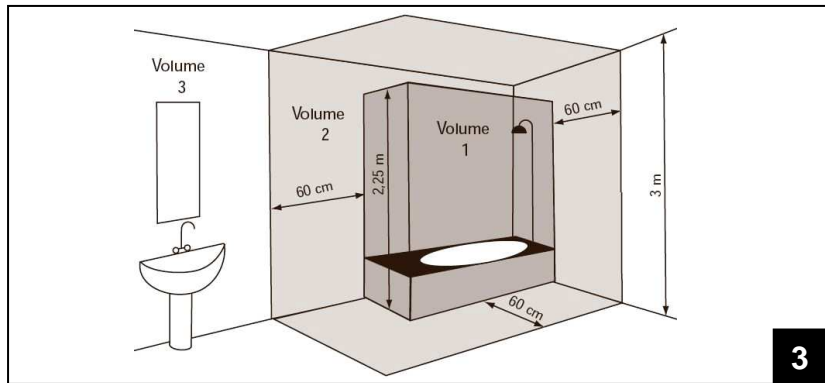
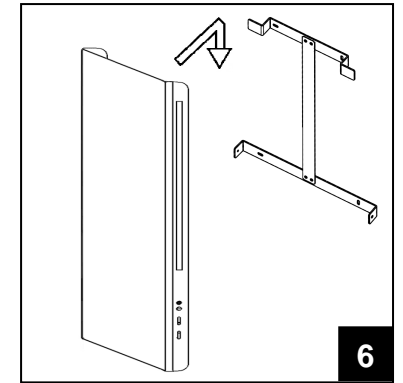
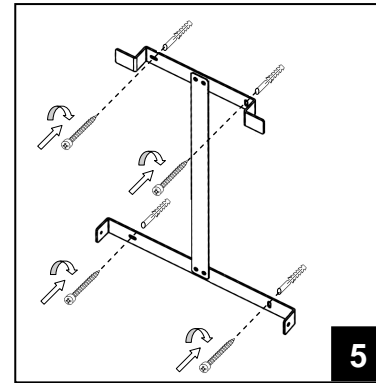
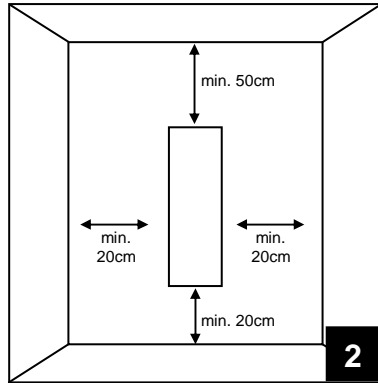
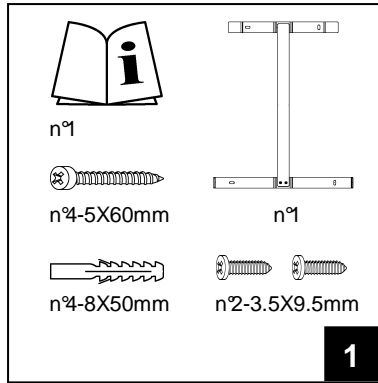
IntelliHeat

Intelligent Heating Solutions.



- Please retain these instructions in a safe place for future reference.
- Si prega di conservare con cura questo libretto di istruzioni per future consultazioni.
- Bewaar deze gebruiksaanwijzing zorgvuldig voor toekomstig gebruik.
- Conserver cette notice pour toute consultation ultérieure.
- Es wird gebeten, diese Gebrauchsanleitung für ein zukünftiges Nachschlagen sorgfältig aufzubewahren.
- Conservar las instrucciones de uso.

DEKO_2_it.gb.fr.de/24082009



ENGLISH

OPERATING INSTRUCTIONS

Before operating the heater, please read these instructions thoroughly to avoid damage and hazardous situations. Any use of this heater other than that stipulated in this instruction manual may cause fire, electric shock or injury, and voids all warranties.

Warranty does not apply to any defect, deterioration, loss, injury or damage caused by, or as a result of, the misuse or abuse of this heater. The rights dictated by State law are not prejudiced. None of the terms of this warranty are to be taken as excluding any conditions or warranties implied by State law, which cannot be excluded or modified.

Before any operation remove the packaging and check product integrity. In case of defects or damages do not try to repair it yourself but contact your dealer.

Do not let children play with the packaging and protect the environment by disposing of the packaging in accordance with the national regulations for waste processing.

1. Your product

- Other than the heater you have chosen the package includes (picture 1):
 - N°1 metal bracket for wall mounting;
 - N°4 nylon plug expansion 8x50mm;
 - N°4 5x60mm cross head screws to fix wall brackets ;
 - N°2 3.5x9.5mm cross head screws to fix the product ;
- Refer to your dealer if something is broken or missing.

2. For your safety

- Make sure that the mains power supply matches the rated input: 230V AC, 50Hz.
- Never allow animals or children to play with or touch the product. Attention! The panel may become very hot while it is working (approximately 80°C = 176°F);
- WARNING: In order to avoid overheating, do not cover the heater.** Do not hang anything on the heater and do not cover it while it's working. This is clearly written on the cover of the product or shown by the symbol



- This product may not be used by people (children included) with reduced physical, sensorial or mental capacities, or with inadequate experience and knowledge, unless they are under the supervision of a person responsible for their safety or have been suitably instructed by the latter. Children must be supervised to ensure they do not play with the product.
- To prevent overheating, never cover the product inappropriately (pictures 8 and 9).
- Do not use the product in rooms saturated with explosive gas, vapours generated by solvents or paints or flammable vapours/gas.
- If the cable and/or plug are damaged, do not repair them yourself but take the product to the technical service or a qualified repair centre and have them repaired by specialised personnel in order to avoid any risk of damage.
- Always position the product so that the plug is immediately accessible.
- Never position this appliance immediately underneath a power socket.

3. Safe positioning

- Only use the product in its vertical position;

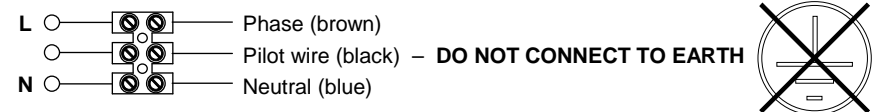
- This product is fitted with a double electrical insulation circuit (class II) and therefore does not require an earth connection;
- Always make observe the minimum distances from walls, furniture and/or objects, as indicated in picture 2.
- Never install the product on a surface made from wood or synthetic material.
- This product is water resistant to IP24. It may therefore be used in bathrooms or other areas subject to humidity provided it is never installed within the perimeter of bathtubs or showers (Volume 1 of figure 3).
- It must never be possible for people in the bath tub or shower to reach the adjustment knobs.

4. Installation

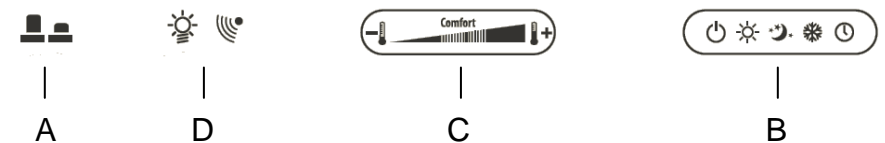
- After carefully reading section 3, proceed with installation following the sequence shown in figures 4 to 7.
- i** - Always remember to fix the 2 side screws (pic. 7) to avoid accidental release of the product. **Warning: if you do not respect this instruction the product may be instable!**

5. Electrical connections






- The product must be powered at a voltage of 230V AC 50Hz.
- The product must be supplied with a cable and plug or with a cable for installation. If a product with plug is installed in France, connect it to the mains power supply by cutting off the plug and using a suitable connection box.
- If the product is supplied with a cable for installation, connect it to the mains power supply using a 3-wire cable (Brown=Live, Blue=Neutral, Black=Pilot wire) and a connection box. **If you do not wish to use the pilot wire functions, just connect the phase and the neutral wires: the product will work correctly even without the external programmer.**
- In bathrooms, kitchens or other humid areas, install the connection terminal at least 25cm off the floor.
- The electrical connection to the mains power supply must also include a 2-pole switch with a minimum contact aperture of 3mm. As a priority, always abide you national wiring rules.
- It is forbidden to connect the appliance to the earth circuit. **DO NOT CONNECT THE PILOT WIRE (BLACK) TO THE EARTH CIRCUIT.**
- If the product is powered through a 30mA differential switch, make sure the pilot wire is also controlled by the differential switch.



6. Using the product



- The product is fitted with a main on/off pushbutton (A), a slider to select desired working function (B), a slider to set wished temperature (C) and a led showing the operating status (D).
- The infrared receiver for the optional remote control is included in the pilot light's eye (D).


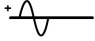
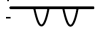
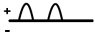
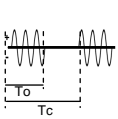
- The main pushbutton (A) controls the supply of the entire product. When switched on the internal electronics is ready to be used. In case you have the optional remote control we suggest to use this button only in case you will not use the product for a long period, in all other cases it is preferable to use the selector (B). Switching off the product by the pushbutton (A) causes, after about 3 hours of internal autonomy, the loss of time/day information blocking the programmed functioning until further data input.
- The main pushbutton (A) deactivates the product apart of any possible input coming from the pilot wire.
- Slider selector (B) allows to select between one of the following working set:
 -  **STAND-BY**
The product is supplied but heating elements are disconnected.
 -  **COMFORT**
The product is supplied and works depending on the temperature set with the slider (C).
 -  **ECO**
The product is supplied and works depending on the temperature set with the slider (C) decreased of 3,5°C.
 -  **FROST-FREE**
The product is supplied and thermostat set is electronically forced to 7±3°C (independently of temperature set with the slider (C)).
 -  **PROG**
Functioning depends on inputs coming from the pilot wire (black) or from the optional remote control.
- The thermostat (C) maintains the required ambient temperature by automatically turning the appliance on and off. The more the knob is moved to the right, the higher the temperature will be. The highest position of the thermostat corresponds to approximately 30°C, the bottom one to about 10°C.
To set optimum combination between room temperature and power consumption a specific range of the thermostat has been highlighted as "comfort".
In case you need a frost free selection we suggest to use the function selector (B) and set it to the "❄️" position, without moving the thermostat (C) to the minimum.
- The indicator led (D) gives different information by changing the way it lights on and exactly:
 - The light is on and red when the product is heating to reach desired temperature;
 - The light is on and green if the desired temperature has been reached and the product is ready to operate to comfortably maintain it to the desired value;
 - The light continuously flashes in red colour if temperature electronic sensor is broken. The product must be repaired by an authorised service only;

Using the thermostat

- In a room with a temperature in excess of 30°C, the thermostat does not turn on the appliance even if it is at maximum.
- Vice-versa, in a room with a very low temperature (below 10°C), the thermostat keeps the heater constantly on, even if it is at minimum.
- To optimise use of the thermostat, proceed as follows:
 - set the thermostat (C) to maximum and wait until a comfortable temperature is reached;
 - move the thermostat (C) to the left until functioning led (D) turns yellow;
 - move the thermostat (C) to the right for a couple of millimetres;
 - in this position, the thermostat will maintain the selected ambient temperature.

Using the pilot wire

- If the product is fitted with a power cable without plug, it can also be controlled with specific programmers. The behaviour of the product depends on the voltage applied between the pilot wire and the neutral wire, as shown in the following table:

ORDER RECEIVED	WAVE SHAPE	MODE	HEATING TEMPERATURE
NO SIGNAL		COMFORT	TEMPERATURE SET BY THERMOSTAT
COMPLETE ALTERNATING SIGNAL		ECO	3°C LOWER THAN THE TEMPERATURE SET BY THE THERMOSTAT
NEGATIVE ALTERNATING SIGNAL SEMI WAVE		ANTIFREEZE	TEMPERATURE MAINTAINED AT APPROX. 7°C
POSITIVE ALTERNATING SIGNAL SEMI WAVE		STOP	THE APPLIANCE IS SWITCHED OFF
CYCLICAL EMISSION OF A COMPLETE ALTERNATING SIGNAL T _c =300S T _o =3S		1°C REDUCTION	1°C LOWER THAN THE TEMPERATURE SET BY THE THERMOSTAT
CYCLICAL EMISSION OF A COMPLETE ALTERNATING SIGNAL T _c =300S T _o =7S		2°C REDUCTION	2°C LOWER THAN THE TEMPERATURE SET BY THE THERMOSTAT

- Note: the STOP input signal on the pilot wire will switch off the product even if the mode selector is NOT in the "PROG" mode.**

Using the remote (optional)

- The optional remote control allows to set a "comfort" or "eco" temperature for each hour of the day, all days independently.
- Operating mode could be easily switched from the remote to the pilot wire and vice-versa.
- With just one remote it is possible to transmit the same program to all the products of this series you have installed. All details about programming are included in the instruction manual of the remote control.

7. What to do in case of malfunctions

- In the event of overheating, the safety device on the appliance automatically disables the heating elements.
- The product will resume automatic operation as soon as the temperature returns below the safety limit.
- Attention: the functioning led will not be switched off by the operation of the safety device.

i If you notice irregular operation, damage to the heating panel or to the structure of the appliance, disconnect the product from the mains power supply and contact your technical assistance centre or dealer.

8. Maintenance

- This product does not require any special maintenance.
- Clean the product, especially the heating panel, with a dry cloth once every 6 months.
- If the product requires repairing, contact an authorised technical service centre.
- When replacing the power cable, use a 2x1.00mm² or 3x1.00mm² H05VV-F HAR type, depending on the version. This operation, for cables both with and without plugs, must be performed by qualified personnel and never by the end user in order to avoid damaging the appliance and jeopardising personal safety.



Manufacturers of Advanced Heating Systems

TWO YEAR WARRANTY

Your Intelli Heat product comes with a two year manufacturers warranty on the main body and all electronics. This warranty is valid from the date of your purchase.

This warranty covers any fault that may arise due to the faulty manufacture of the product. It does not cover any fault that may be caused by miss-use, accidental or intentional damage caused by the purchaser or other persons after purchase, or incorrect installation. Please ensure that you keep all documentation relating to this product including your invoice as this will be required should you need to use this warranty.

Thank you for choosing our product and we wish you a lasting, trouble free and enjoyable use of your new Intelli Heat system.

Intelli Heat © Ltd

Unit 18 Napier Place, Stephenson Way, Thetford, Norfolk IP24 3RL
T: 0845 163 0055 F: 0845 163 0045 E: contact@intelligentheat.co.uk

www.intelligentheat.co.uk